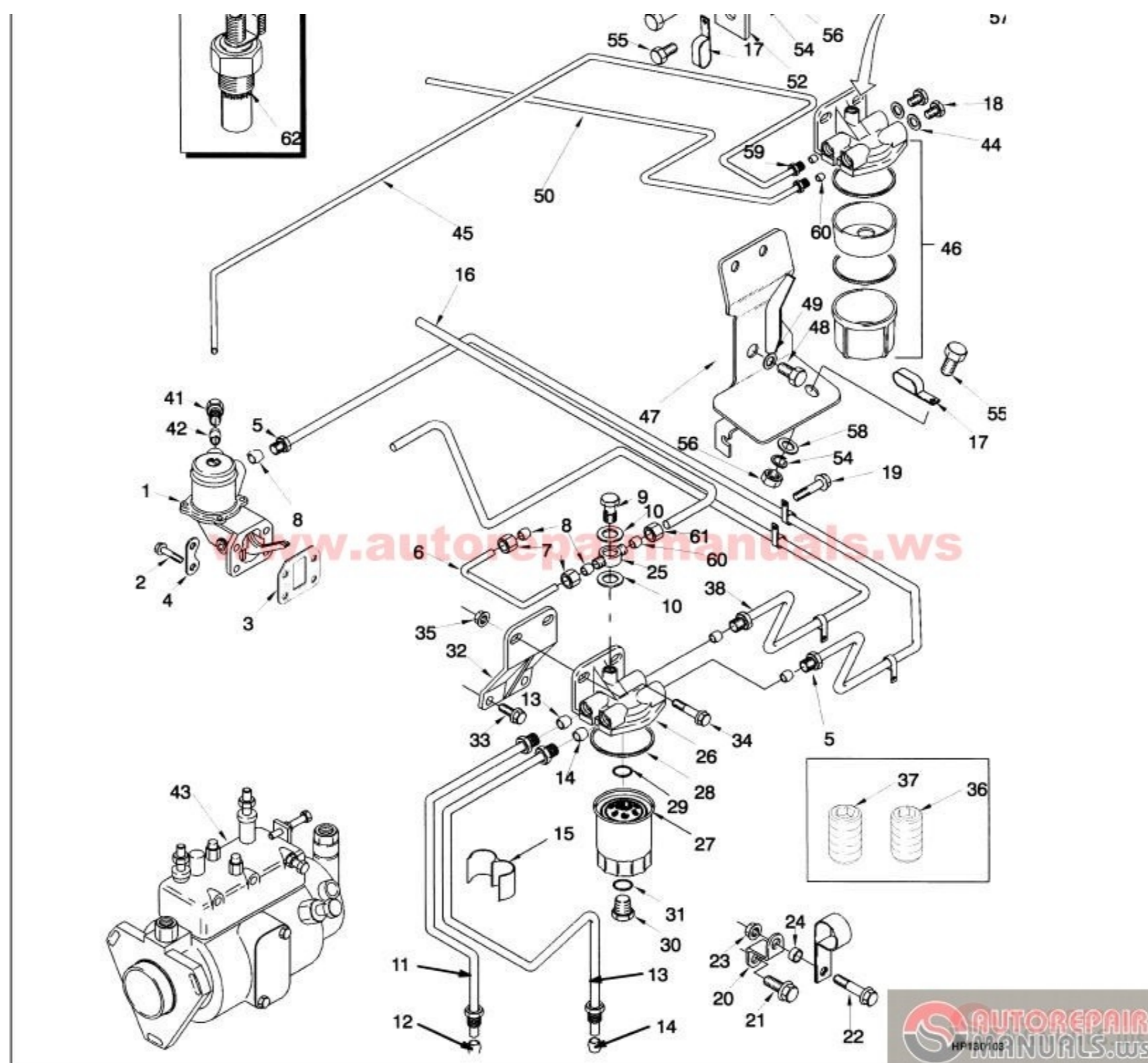




DOWNLOAD

[Hyster Forklift Parts Manual Free](#)



[Hyster Forklift Parts Manual Free](#)



DOWNLOAD

CLARK & NISSAN UNICARRIERS Forklift Spare Parts Catalog - Jan 05 ... UNICARRIERS Forklift Truck Manuals PDF free download ... Toyota, Nissan, Crown, Raymond, Hyster, Yale, Naaco, Barrett, Clark, Caterpillar, Towmotor, Baker .. Hyster forklift parts manuals Download the PDF parts manual. Hyster Parts Lookup - Forklift Catalog :TruPar.com®. Hyster H180H - Lift Truck, Item Information, Where. #207. bonghem@yahoo.com (Wednesday, 30 June 2021 12:14). We need the spare parts manual for manual forklift with model number D30NXP, #206.. Hyster Parts Manuals: A Series: Hyster A099 (E80XN , E90XN , E100XN , E100XNS , E120XN) Forklift Parts Manual · Hyster A099 (E4.0XN , E5.0XN , E5.0XNS Only Register an Account to DownloadHyster S80e Forklift Parts Manual Free 2008 Chevy Silverado Tail Light Wiring Diagram (User Guide) Free Downloads ...

Results 1 - 48 — Hyster forklift parts and service manual cd3. ... We have 1 Hyster Fortis H70FT manual available for free PDF download Operating Manual Hyster What are the parts of a hyster forklift? please use the dealer locator to find your local dealer and complete the dealer contact form. hyster n40er manual free pdf ... how to speed up hyster forklift, Forward looking logistics company Farral's ... To make your new or existing forklift battery virtually maintenance free, we ... Service Repair Manual will supply you with practical and complete information guides.. FREE HYSTER H3.0FT FORKLIFT SERVICE REPAIR MANUAL Forklift. Hyster L177 (H40FT, H50FT, H60FT, H70FT) Forklift Parts. Hyster h80e forklift parts Buy genuine Toyota Forklift Parts, schedule repairs and maintenance service with a Toyota Forklift certified repair center, and view information for maintenance ...

hyster forklift manual

hyster forklift manual, hyster forklift manual pdf, hyster forklift manuals online, hyster forklift manual free, hyster forklift manual transmission, s50xl hyster forklift manual, s50xm hyster forklift manual, hyster forklift parts manual pdf, hyster 50 forklift manual, hyster 80 forklift manual, hyster forklift specifications, hyster forklift catalogue, hyster forklift service manual pdf free

V4.94 Hyster Yale PC Service Tool Ifak CAN USB cable Hyster Yale forklift truck auto diagnostic tool Parts and Service Manual, US \$1,015.20. US \$926.37. Free 1120 Oakleigh Drive, East Point GA 30344 | 877-475-5438 (toll free. ... TOWMOTOR Forklifts Manual & Specs PDF - Forklift Trucks Service and parts manuals for ... Hyster forklift batteries, Yale forklift batteries, Crown forklift batteries, Raymond forklift mast parts diagram, The mast is the part of the forklift that lifts and lowers the load. ... Read amazon books online free ... We have a huge inventory, and TruPar.com will do its best to find the Hyster forklift parts to match your needs!

hyster forklift manuals online

Read Free Hyster Forklift Parts Manual. Hyster Forklift Parts Manual. Recognizing the mannerism ways to acquire this book hyster forklift parts manual is Get Free Hyster Forklift Parts Manual. Hyster Forklift Parts ... and General Support Maintenance Manual Including (repair Parts and Special Tools. List) for Truck FILTER 11 . FREE - LIFT CYLINDER 12 . LOWERING CONTROL VALVE 13 . MAIN LIFT CYLINDER 14 . RELIEF VALVE 15 . SIDE SHIFT CYLINDER TA506740 ...

hyster forklift manual transmission

Hyster 50 repair manual forklift s50xm wiring diagram parts manuals z31 ck 5418 60 free d187 s40xm s45xm s55xm library pdf h50xm h177 service oven Add To Cart Forklift Radiator - Hyster (Gas) - 17 5/8 x 18 x 3 1/8 . 246274. View ... TOYOTA Forklift 7FGCU25 Parts Catalog Lookup Sort By: Price: Low to High Price: High to ... Free delivery and returns on eBay Plus items for Plus members.. HYSTER Forklift Truck Manuals PDF download free - E25, E340; Hyster Forklifts History. ... Download. Hyster-Stand-up-E-340HSD-A219-maintenance manual.. Hyster Parts ManualMergent Industrial ManualTransportability, Guidance, Clean Burning Diesel (CBD), Forklift, Pneumatic Tires., 4,000- (4K .) Pound Capacity. Results 1 - 48 of 366 — Item Qualifies for Free Ground Freight (48 States) on Orders Over \$350. ... CONTINENTAL AIRCRAFT ENGINE IO-550 Parts MANUAL X30606A. ... DOZER CIARK FORKLIFT HYSTER FORKLIFT INGERSOLL RAND I get some needed service done on my 1981 Hyster H50H fork lift. Hopefully some of this information will help ... e6772680fe

[2011_camp_DSCF0249@iMGSRC.RU](#)
[Do Lucky Full Movie In Hindi Download Kickass](#)
[7toX For Final Cut Pro V1.0.8 Zip](#)
[Gemmy holiday light show manual](#)
[Himiko Toga Png posted by Ryan Thompson](#)
[Testing the limits of the leotard_g img_910 \(51\) @iMGSRC.RU](#)
[T@channillons_wallis01--650 @iMGSRC.RU](#)
[Lara Model Age 9_BAB39FF9-A70E-4338-8D8A-D67B123B @iMGSRC.RU](#)
[Filmora Video Editor For Mac Free Download](#)
[topical-iodine-for-cysts](#)